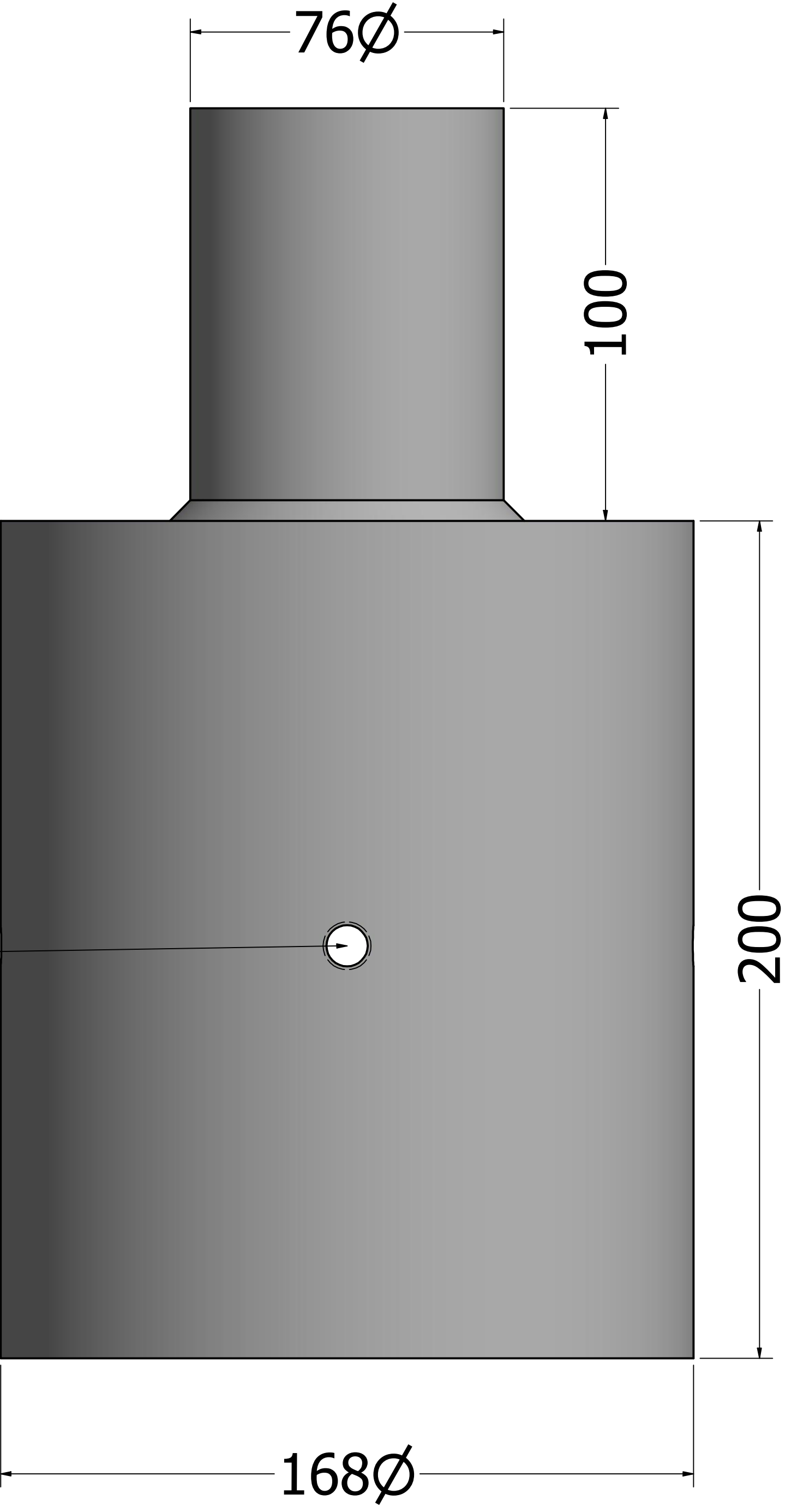


FOUR HOLES
DRILLED THEN
TAPPED M10



ACCEPTED BY _____

DATE ACCEPTED _____

BEI LIGHTING
WYNDHAM CLOSE, BRACKLA INDUSTRIAL ESTATE
BRIDGEND CF31 2AN
TEL: 01656 645414 - FAX: 01656 669231
EMAIL: sales@beilighting.com
WEB: www.beilighting.com

BEI | lighting
lighting from the ground up



GENERAL NOTES:
ALL DIMENSIONS IN MILLIMETERS
ALL BURRS AND SHARP EDGES TO BE REMOVED

Copyright
The user may not copy, reproduce, republish, post, broadcast, transmit, make available to the public or otherwise use any BEI Lighting or UK Electric Ltd content contained in this document in any way without our written permission.

DRAWN	Neil Carter	24/01/2018
CHECKED		
QA		
MFG		
APPROVED		

ANY BESPOKE BRACKETS ARE MADE TO ORDER AND AS SUCH ARE NON RETURNABLE

TITLE
POST TOP ADAPTOR TO SUIT 140MM POST TOP COLUMNS OR SPIGOTS AND REDUCE DOWN TO 76MM, GALV FINISH

DWG NO
168mm-76mm Spigot Adaptor

SCALE 1:1 SHEET 1 OF 1